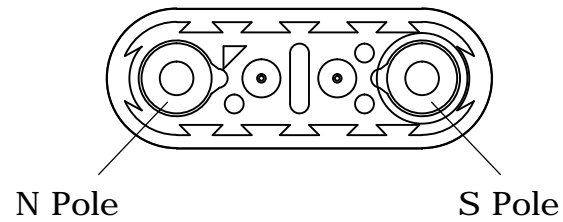
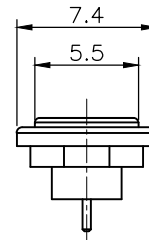
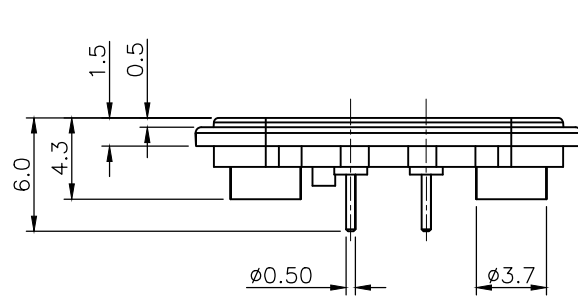
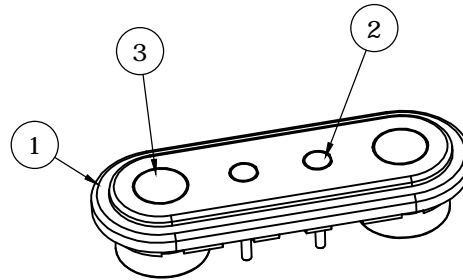
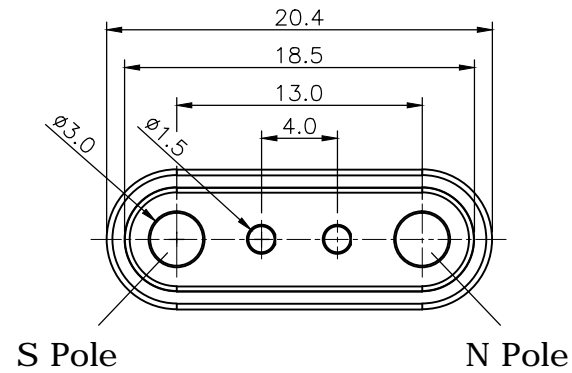


REV.	DESCRIPTION	DRAWN	DATE
1	INITIAL RELEASE	TIM	2022/07/18

SPECIFICATION:

1. ELECTRICAL
 - 1.1 Current Rating: 2A
 - 1.2 Voltage Rating: 12VDC
 - 1.3 Contact Resistance: 50mΩ
2. ENVIRONMENTAL
 - 2.1 Operating temperature range: -30°C~+60°C



4	GLUE	LSR-67	
3	MAGNET	N52 NdFeB, Ni-Cu-Ni plating	
2	MACHINE PIN	Brass, 5u" gold plating	
1	HOUSING	PC RAL9003, White	
NO.	PART NAME	DESCRIPTION	
UNLESS OTHERWISE SPECIFIED TOLERANCE			
UNIT:	DECIMAL	LINEAR	ANGLES
mm	X.	±0.50	±5°
	X.X	±0.25	±3°
	X.XX	±0.12	±1°
DRAWN		Tim	2022/07/18
CHECKED		Fros	2022/07/18
APPROVED		Ken	2022/07/18
SCALE		1/1	SHEET 1/1
SIZE		A4	
DRAWN NAME:		Pogo Machine Pin, Magnet Type, 2Pin H=4.3mm, Pitch 4.0, DIP, 5u", White	
PRODUCT NO.		303C-C4315-40-02	
FILE NAME		303C-C4315-40-02_B_1	



www.attend.com.tw